

NME6002H GaN TRANSISTOR

Document Number: NME6002H
Preliminary Datasheet V1.0

Gallium Nitride 28V 15W, RF Power Transistor

Description

The NME6002H is a 15W, unmatched GaN HEMT, designed for multiple applications with frequencies up to 6GHz.

There is no guarantee of performance when this part is used in applications designed Outside of these frequencies.

- Typical performance (on Innogration production fixture with device soldered)

$V_{DD}=28V$, $I_{DQ}=100mA$, CW,

Frequency(MHz)	Gp (dB)	P_{1dB} (W)	Efficiency (%)
2000	19	15	70



Available application circuits for RF performance demonstrator (please check with us for details)

- 30-4000MHz full band Class AB 10W

Applications and Features

- Suitable for wireless communication infrastructure, wideband amplifier, EMC testing, ISM etc.
- High Efficiency and Linear Gain Operations
- Thermally Enhanced Industry Standard Package
- High Reliability Metallization Process
- Excellent thermal Stability and Excellent Ruggedness
- Compliant to Restriction of Hazardous Substances (RoHS) Directive 2002/95/EC

Important Note: Proper Biasing Sequence for GaN HEMT Transistors

Turning the device ON

1. Set VGS to the pinch-off (VP) voltage, typically -5 V
2. Turn on VDS to nominal supply voltage (28V)
3. Increase VGS until IDS current is attained
4. Apply RF input power to desired level

Turning the device OFF

1. Turn RF power off
2. Reduce VGS down to VP, typically -5 V
3. Reduce VDS down to 0 V
4. Turn off VGS

Table 1. Maximum Ratings (Not simultaneous, TC = 25°C unless otherwise noted)

Rating	Symbol	Value	Unit
Drain--Source Voltage	V_{DSS}	160	Vdc
Gate--Source Voltage	V_{GS}	-10,+2	Vdc
Operating Voltage	V_{DD}	40	Vdc
Maximum Forward Gate Current	I_{gmax}	4	mA
Storage Temperature Range	T_{stg}	-65 to +150	°C
Case Operating Temperature	T_c	+150	°C
Operating Junction Temperature(See note 1)	T_j	+225	°C
Total Device Power Dissipation (Derated above 25°C, see note 2)	P_{diss}	32	W

1. Continuous operation at maximum junction temperature will affect MTTF
2. Bias Conditions should also satisfy the following expression: $P_{diss} < (T_j - T_c) / R_{JC}$ and $T_c = T_{case}$

NME6002H GaN TRANSISTOR

Document Number: NME6002H
Preliminary Datasheet V1.0

Table 2. Thermal Characteristics

Characteristic	Symbol	Value	Unit
Thermal Resistance, Junction to Case $T_C = 85^\circ\text{C}$, $T_J = 200^\circ\text{C}$, DC Power Dissipation(See note 1)	$R_{\theta\text{JC-DC}}$	6.3	C/W

- $R_{\theta\text{JC-DC}}$ is tested at only DC condition, it is related to the highest thermal resistor value among all test conditions. It might be differently lower in different RF operation conditions like CW signal ,pulsed RF signal etc.

Table 3. Electrical Characteristics ($T_C = 25^\circ\text{C}$ unless otherwise noted)

DC Characteristics

Characteristic	Conditions	Symbol	Min	Typ	Max	Unit
Drain-Source Breakdown Voltage	$V_{GS} = -8\text{V}$; $I_{DS} = 10\text{mA}$	V_{DSS}		160		V
Gate Threshold Voltage	$V_{DS} = 28\text{V}$, $I_D = 5\text{mA}$	$V_{GS(th)}$		TBD		V
Gate Quiescent Voltage	$V_{DS} = 28\text{V}$, $I_{DS} = 100\text{mA}$, Measured in Functional Test	$V_{GS(Q)}$	---	-2.44	---	V

Functional Tests (In Innogration broadband Test Fixture, 50 ohm system) : $V_{DD} = 28\text{Vdc}$, $I_{DQ} = 100\text{mA}$, $f = 2000\text{MHz}$, CW

Characteristic	Symbol	Min	Typ	Max	Unit
Power Gain	G_p		19		dB
Drain Efficiency@P1dB _t	Eff	65	70		%
1dB Compressed point	P1dB	15	18		W
Input Return Loss	IRL		-7		dB
Mismatch stress at all phases(No device damage)	VSWR		10:1		Ψ

NME6002H GaN TRANSISTOR

Document Number: NME6002H
Preliminary Datasheet V1.0

Package Outline

Flanged ceramic package; 2 leads

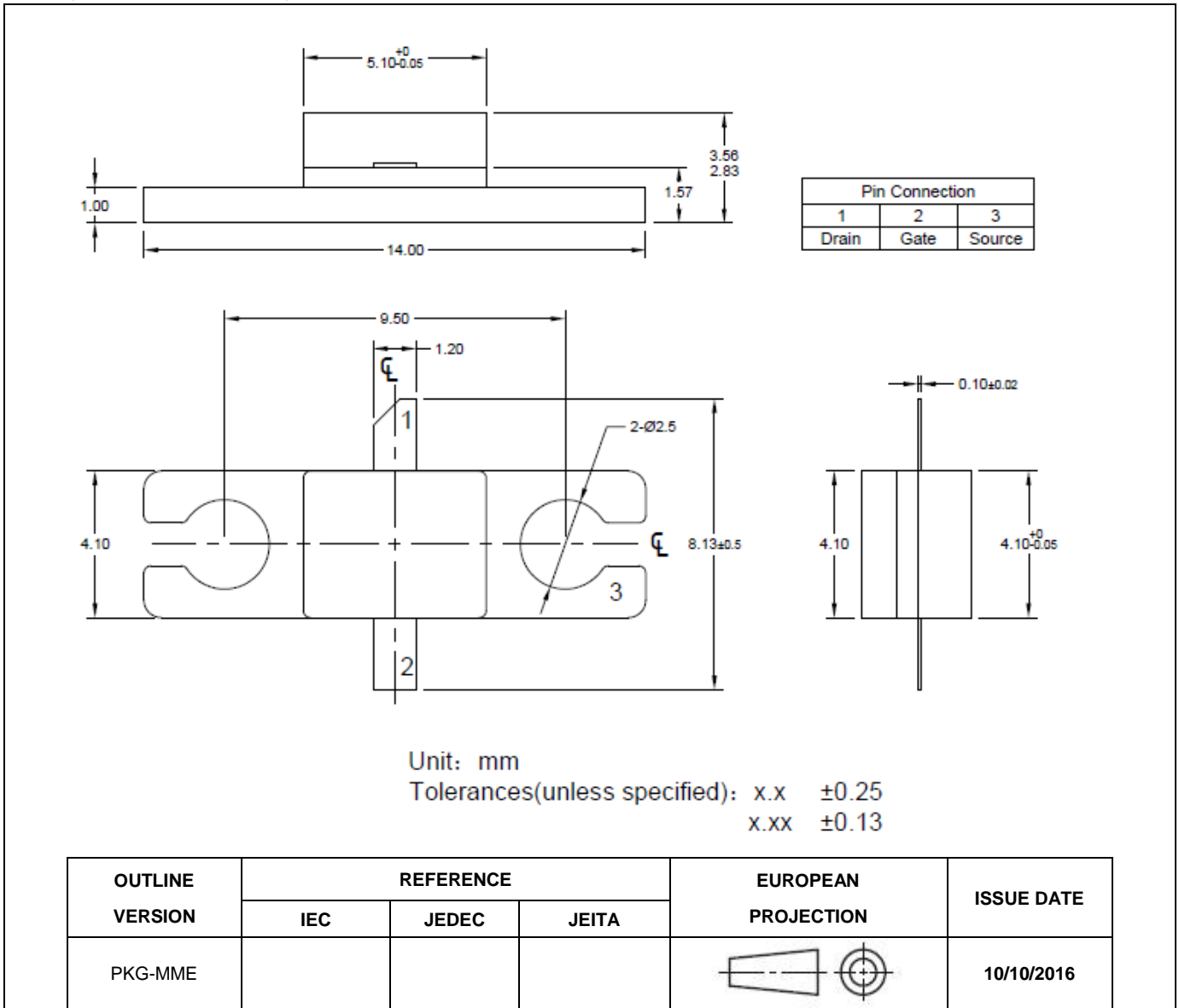


Figure 1. Package Outline PKG-MME

Revision history

Table 4. Document revision history

Date	Revision	Datasheet Status
2017/3/10	V1.0	Objective Datasheet Creation
2017/6/19	V1.0	Preliminary Datasheet Creation

Notice

Specifications are subject to change without notice. Innogration believes the information within the data sheet to be reliable. Innogration makes no warranty, representation or guarantee regarding the suitability of its products for any particular purpose.

“Typical” parameter is the average values expected by Innogration in quantities and are provided for information purposes only. It can and do vary in different applications and related performance can vary over time. All parameters should be validated by customer’s technical experts for each application.

Innogration products are not designed, intended or authorized for use as components in applications intended for surgical implant into the body or to support or sustain life, in applications in which the failure of the Innogration product could result in personal injury or death or in applications for planning, construction, maintenance or direct operation of a nuclear facility.

For any concerns or questions related to terms or conditions, please check with Innogration and authorized distributors

Copyright © by Innogration (Suzhou) Co.,Ltd.